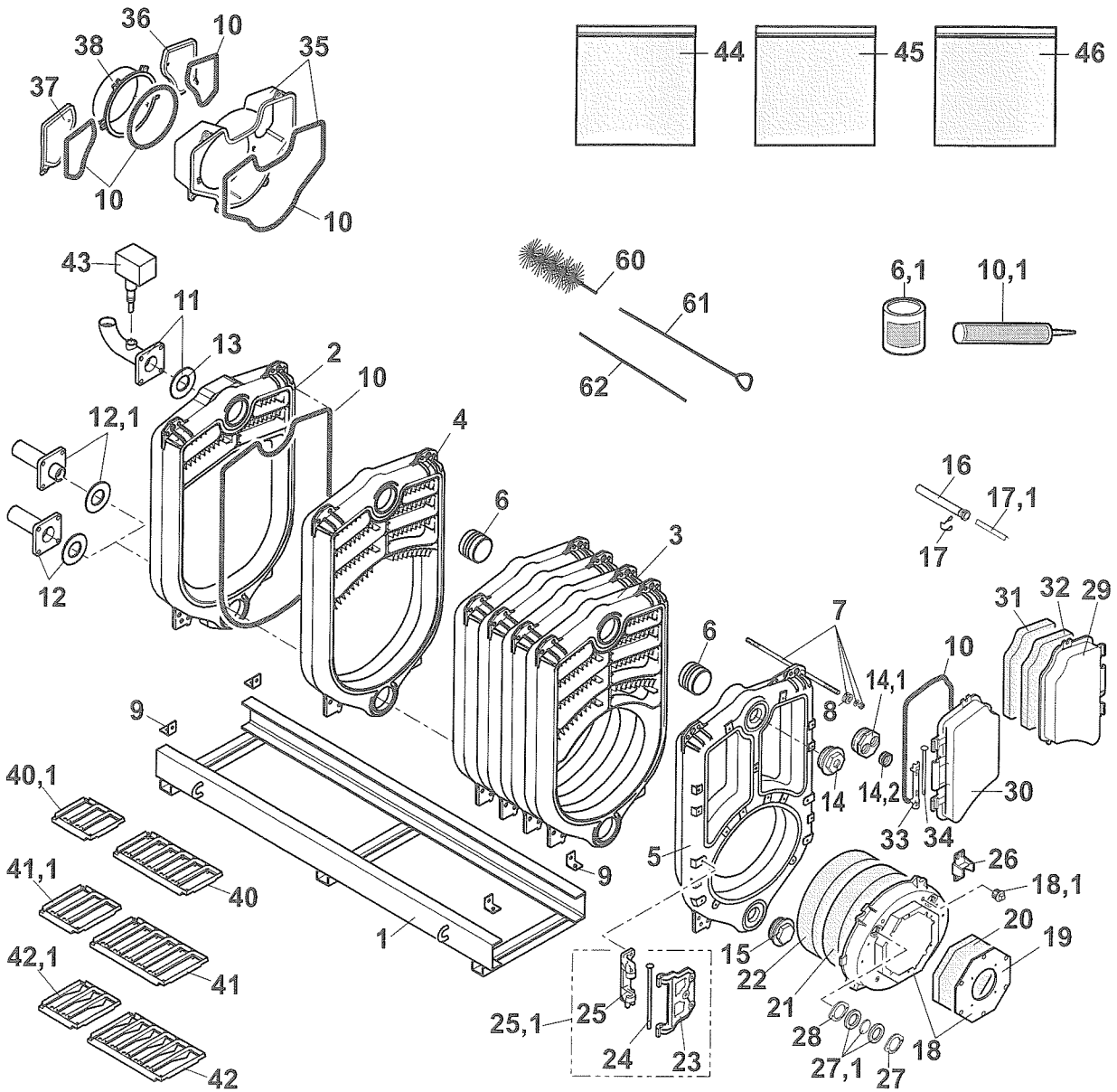


Spare parts - P 420

i To order a spare part, quote the reference number next to the part required.

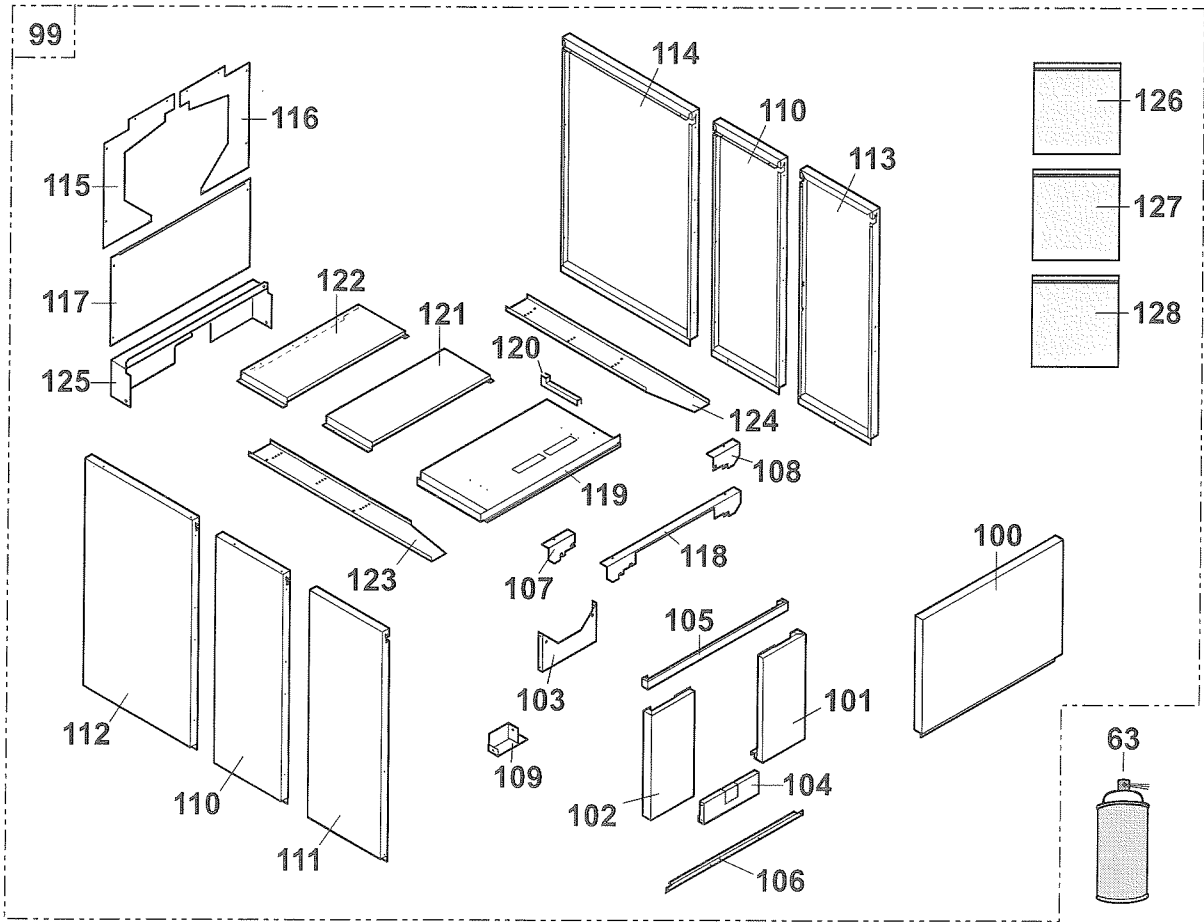
13/04/05 - 300004749-002-A

Boiler body

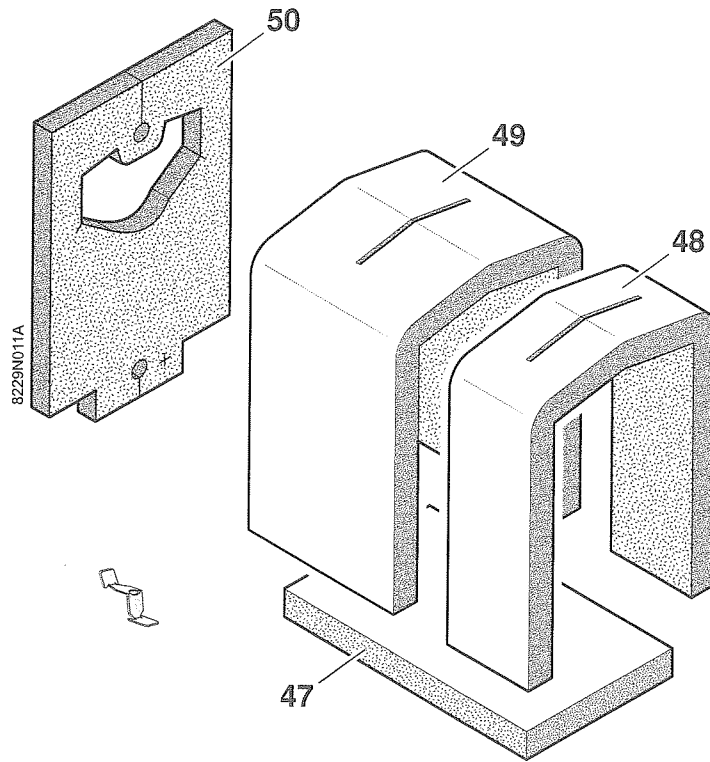


8229N021D

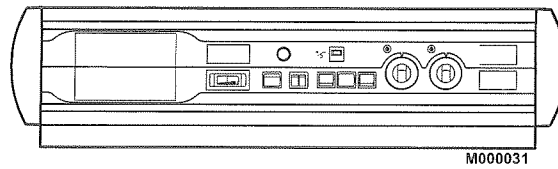
Cladding



Insulating material for body



Panel RC 1



Markers	Code no.	Description
		Boiler body + Accessories
		Base frame
1	8229-8900	Complete frame 7-8 sections
1	8229-8901	Complete frame 9-10 sections
1	8229-8902	Complete frame 11-12 sections
1	8229-8903	Complete frame 13-14 sections
2	8229-8940	Complete rear section
3	8229-0029	Normal intermediate section
4	8229-0030	Special intermediate section
5	8229-8941	Complete front section
6	8005-0200	Nipple
6.1	9430-5027	Nipple greasing product
7	8229-8919	Assembly rod 425
7	8229-8920	Assembly rod 620
7	8229-8921	Assembly rod 784
8	9754-0120	Spring
9	9752-5232	Mounting square
10	9508-6032	Glass fibre cord ø 10 mm (metre)
10.1	9428-5095	Tube of silicon mastic
11	8229-8923	Outlet pipe + seal, 7 to 10 sections
11	8229-8918	Outlet pipe + seal, 11 to 14 sections
12	8104-8965	Return collector + seal, 7 to 10 sections
12.1	8229-8922	Return collector + seal, 11 to 14 sections
13	9501-4135	Gasket 12x120x4
14	8202-0028	2" 1/2 plug with 1/2" opening
14.1	8202-0049	Plug 2 1/2"-1/2"-USA+NL
14.2	9494-8080	Nipple N241-1/2"x1/4"
15	8013-0028	Solid plug 2" 1/2
16	8500-0027	Sensor tube
17	9758-1286	Spring for pocket
17.1	9536-5613	Contact spring for thimble tube
18	8229-8911	Complete combustion chamber door, no opening
18	8229-8943	Complete 10 mm combustion chamber door with opening on request
18	8229-8947	Complete 15 mm combustion chamber door with opening on request
18.1	9495-0050	Plug 1/4"
19	8229-0532	Plate for combustion chamber door, no opening
19	8229-0546	Plate for combustion chamber door with opening ø 135
19	8339-0508	Plate for combustion chamber door with opening ø 175
19	8229-0531	Plate for combustion chamber door with opening ø 190

Markers	Code no.	Description
19	8229-0533	Plate for combustion chamber door with opening ø 240
19	8339-0509	Plate for combustion chamber door with opening ø 250
19	8229-0534	Plate for combustion chamber door with opening ø 290
19	8229-0548	Plate for combustion chamber door with opening on request
19	8229-0548	Plate for combustion chamber door with opening on request
20	9755-0258	Height converter, insulation
21	9755-0259	Furnace door guard
22	9755-0260	Furnace door insulation
23	8229-0204	Hinge
24	9756-0213	Hinge pin for combustion chamber door
25	8229-0205	Hinge for combustion chamber door
25.1	8229-8944	Hinge unit
26	8229-0025	Ramp
27	9757-0027	Inspection flange
27.1	8015-7700	Viewport + seals
28	9501-0080	Flame detection cell seal
29	8229-8905	Complete sweeping door, right
30	8229-8906	Complete sweeping door, left
31	9755-0256	Insulation, sweeping door
32	9755-0257	Inner protection, sweeping door
33	8229-0202	Hinge for sweeping door
34	9756-0214	Hinge pin for sweeping door
35	8229-8907	Complete flue gas box
36	8229-8908	Complete right-hand cleaning trap
37	8229-8909	Complete left-hand cleaning trap
38	8229-8916	Flue gas nozzle ø 250 - 7 to 10 sections
38	8229-8917	Flue gas nozzle ø 250 - 11 to 14 sections
40	8229-0010	Upper baffle plate, width 190 mm
40.1	8229-0022	Additional upper baffle plate, width 190 mm
41	8229-0011	Upper baffle plate, width 240 mm
41.1	8229-0023	Additional upper baffle plate, width 240 mm
42	8229-0012	Lower baffle plate
42.1	8229-0024	Additional upper baffle plate
		Flow switch
43	8802-4703	Flow controller P 420-7
43	8802-4707	Flow controller P 420-8
43	8802-4710	Flow controller P 420-9
43	8802-4712	Flow controller P 420-10
43	8802-4722	Flow controller P 420-11

Markers	Code no.	Description
43	8802-4725	Flow controller P 420-12
43	8802-4727	Flow controller P 420-13
43	8802-4729	Flow controller P 420-14
44	8229-8936	Screws and accessories bag
45	8229-8937	Variable screws and accessories bag
46	8229-5500	Body screws packet
		Insulating material for body
47	8229-4010	Lower insulation, boiler body - 7 and 8 sections
47	8229-4016	Lower insulation, boiler body - 9 and 10 sections
47	8229-4034	Lower insulation, boiler body - 11 and 12 sections
47	8229-4036	Lower insulation, boiler body - 13 and 14 sections
48	8229-4004	Front boiler body insulation, width 500 mm
49	8229-4015	Boiler body insulation, width 500 mm
49	8229-4018	Boiler body insulation, width 600 mm
49	8229-4009	Boiler body insulation, width 800 mm
49	8229-4012	Boiler body insulation, width 900 mm
50	8229-4005	Rear insulation
		Miscellaneous
60	9750-5025	Brush
61	9750-5060	1300 mm brush rod
62	9750-5048	Extension for brush rod 650 mm
63	9434-5102	Retouching spray paint - anthracite grey
63	9434-5104	Retouching spray paint - ivory
		Cladding
100	200003654	Complete upper front panel
101	8229-1001	Complete lower front panel, right
102	8229-1003	Front panel, burner
103	8229-1004	Complete lower front panel, left
104	8229-1005	Sludge removal cap
105	8229-8834	Complete front cladding support
106	8229-0537	Lower front crosspiece
107	8229-8807	Upper cladding support, left
108	8229-8808	Upper cladding support, right
109	8229-8010	Lower cladding support
110	8229-0508	Side panel, left or right, width 480 mm
111	8229-8006	Complete front side panel, left
112	8229-8812	Complete side panel, left, width 770 mm
112	8229-8816	Complete side panel, left, width 610 mm
112	8229-8814	Complete side panel, left, width 930 mm
113	8229-8007	Complete front side panel, right
114	8229-8817	Complete side panel, right, width 610 mm
114	8229-8813	Complete side panel, right, width 770 mm
114	8229-8815	Complete side panel, right, width 930 mm

Markers	Code no.	Description
115	8229-8835	Complete upper rear panel, left
116	8229-8836	Complete upper rear panel, right
117	8229-8012	Lower back panel
118	8229-8837	Complete upper cross-bar
119	8229-8809	Complete front cover
120	9755-0187	Rubber profile for cable way
121	8229-0515	Complete intermediate cover
122	8229-0518	Complete rear cover, width 170 mm
122	8229-0511	Complete rear cover, width 330 mm
122	8229-0514	Complete rear cover, width 490 mm
123	8229-8818	Complete cable way, left, P 420-7
123	8229-8819	Complete cable way, left, P 420-8
123	8229-8820	Complete cable way, left, P 420-9
123	8229-8821	Complete cable way, left, P 420-10
123	8229-8822	Complete cable way, left, P 420-11
123	8229-8823	Complete cable way, left, P 420-12
123	8229-8824	Complete cable way, left, P 420-13
123	8229-8825	Complete cable way, left, P 420-14
124	8229-8826	Complete cable way, right, P 420-7
124	8229-8827	Complete cable way, right, P 420-8
124	8229-8828	Complete cable way, right, P 420-9
124	8229-8829	Complete cable way, right, P 420-10
124	8229-8830	Complete cable way, right, P 420-11
124	8229-8831	Complete cable way, right, P 420-12
124	8229-8832	Complete cable way, right, P 420-13
124	8229-8833	Complete cable way, right, P 420-14
125	8229-5501	Additional lower rear panel
126	8229-8933	Screw bag, common parts
127	8229-8934	Screw bag, variable parts CS11
128	8229-8935	Screw bag, variable parts CS13
		Control panel K - RC 1