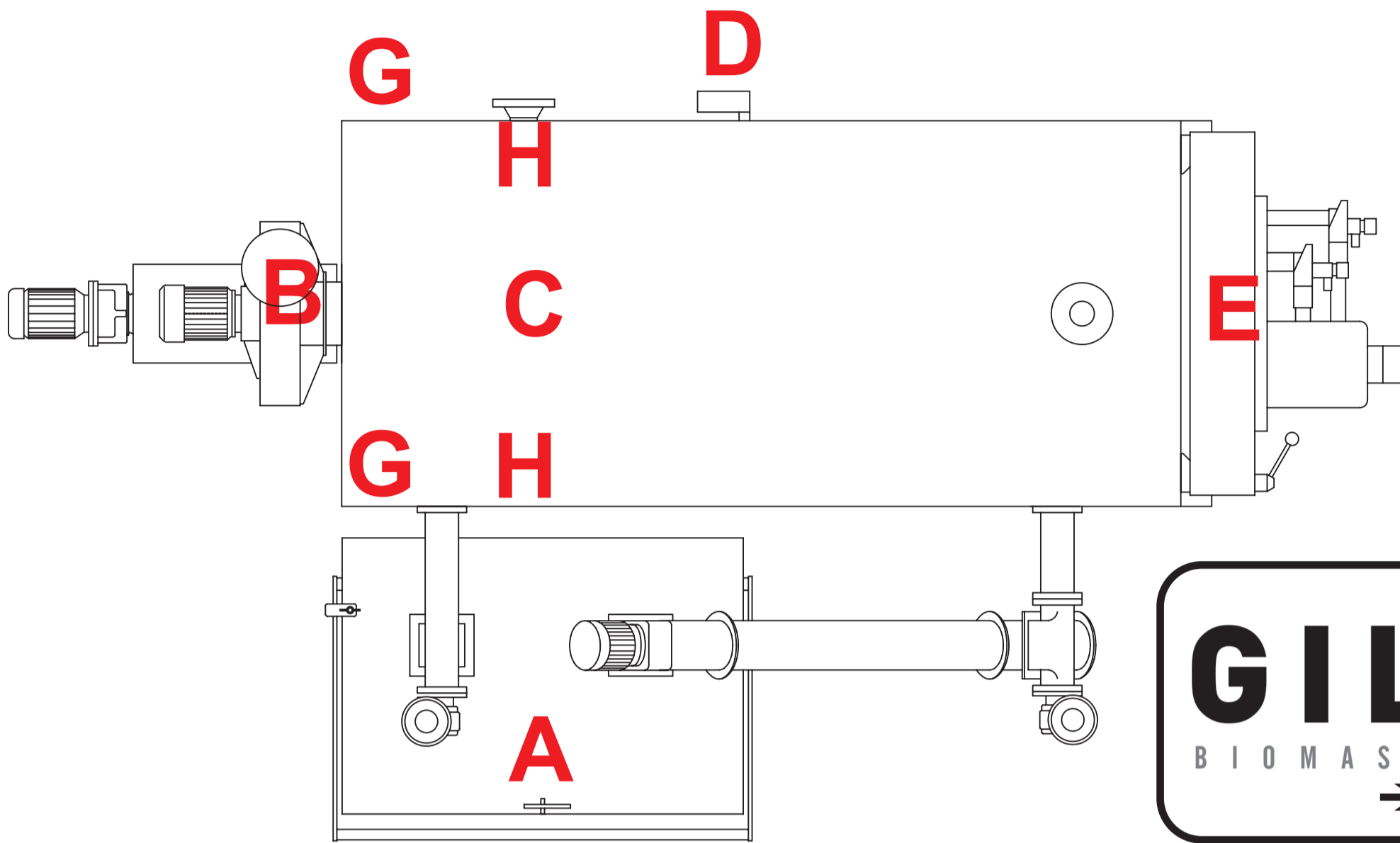


# MAINTENANCE SCHEDULE GILLES HPKI-K/S 120-2000 kW



Switch off the system before starting any maintenance work.  
Pull out the mains plug and secure it to prevent reactivation.



- A** Empty the ash box  
(if 2/3 filled up)
  - B** Clean the flue gas pipe incl. the connection, the lambda probe, flue gas sensor and the flue gas fan 2 x per year  
(Attention flue gas sensor)
  - C** Clean the combustion chamber, the slots in the grate bars and below the grate  
(every 4 - 6 weeks)
  - D** Unscrew and clean the ignition tube  
(2 x per year)
  - E** Clean flue gas draughts with a brush  
(2 x per year)
  - F** Empty out the condensed water at the pressure tank for cleaning
  - G** Clean the cyclone
  - H** Clean the area underneath the grate
- Lubricate all bearings 4 x per year according to the lubrication schedule
  - Check the oil level in the hydraulic aggregates (if available)
  - Constantly check the system pressure  
(boiler water pressure)
  - Clean the negative pressure conduction with compressed air but only towards of the combustion chamber
  - Find more detailed maintenance information in the assembly and operating instructions on CD
  - Clean the combustion chamber sensor

## Filling procedure for sweep collector:

When the fuel level in the fuel store exceeds 0,5m above the collector plate, pull in the collector arms using "manual mode", until they disappear completely under the collector plate! Repeat this procedure after approx. 1,0 m fuel level! (around 10 seconds manual mode)

For the execution of maintenance works arrange an appointment with our customer service or contact your qualified chimney sweeper - competence partner!